

Sky Factory 24PS HLG Power System



CONFORMS TO:
ANSI/UL STD 2108
CERTIFIED TO: CAN/CSA
STD C55.8 No. 250.0



Specifications

Sky Factory 24PS HLG Power System:

Input (Typ) 90 - 305V AC; 47 - 63 Hz; Auto-ranging

Output: 24V DC

Maximum Watts (Useable): 600 Watts

Available sizes are: 40W, 60W, 80W, 100W, 120W, 150W, 185W, 240W, 320W, 480W, 600W

Multiple power systems with single dimmer can be used

Power supply mounted on baseplate with junction box on input and output ends

Junction box wiring access holes limited to 1/2" nominal trade size conduit

AC input wire size:

17 AWG on 40-480W, 18 AWG on 600W for models with upgraded cables

[18 AWG for pre-upgraded models]

DC output wire size:

17 AWG on 40-240W, 480W; 14 AWG on 320W, 600W for models with upgraded cables

[18 AWG on 40-80W; 14 AWG on 100-600W for pre-upgraded models]

Dimmer wire size:

17 AWG on 40-480W; 18 AWG on 600W for models with upgraded cables

[18 AWG on 40-320W,600W; 17 AWG on 480W for pre-upgraded models]

Power system must have 2" (5mm) clearance for air flow

Wall mount recommended.

Power System must be mounted in dry locations.

Power System is specified for Sky Factory EcoSlim ES Series and EcoPlus EP Series fixtures only.

UL/CSA Listed and CE Compliant:

24PS HLG Power System when used with

ES22 Series, ES24 Series, ES26 Series, ES33 Series, ES34 Series,

ES36 Series, ES44 Series, ESCST Series, EP22 Series, EP24 Series,

EP26 Series, EP33 Series, EP34 Series, EP36 Series, EP44 Series and

EPCST Series fixtures fully certified by Intertek Group plc

Dimming:

UL & CSA Listed -

Lutron Diva DVSTV 0-10V sliding dimmer/switch

Input: auto-ranging 120 - 277V AC

Mounts in standard single-gang electrical box

White standard, other colors available upon request

CE Compliant -

Lutron Lyneo preset 0 - 10V sliding dimmer/switch and external relay

Input: 220 - 240V AC

Dimmer mounts in standard UK style single gang backbox

35mm depth recommended

White standard, other colors available on request

For EcoSlim and EcoPlus SkyCeilings:

Number of Fixtures per Power System:

"Classic w/ EcoSlim Electrical Instructions (24PS HLG)" pages 6-7

"Classic w/ EcoPlus Electrical Instructions (24PS HLG)" pages 6-7

"Revelation w/ EcoSlim Electrical Instructions (24PS HLG)" pages 7-9

"Revelation w/ EcoPlus Electrical Instructions (24PS HLG)" pages 7-9

Wiring Diagrams:

"EcoPlus and EcoSlim Drawings and Charts (24PS HLG)"

Power System Mounting Dimensions:

"EcoPlus and EcoSlim Drawings and Charts (24PS HLG)"

For Custom EcoPlus SkyCeilings:

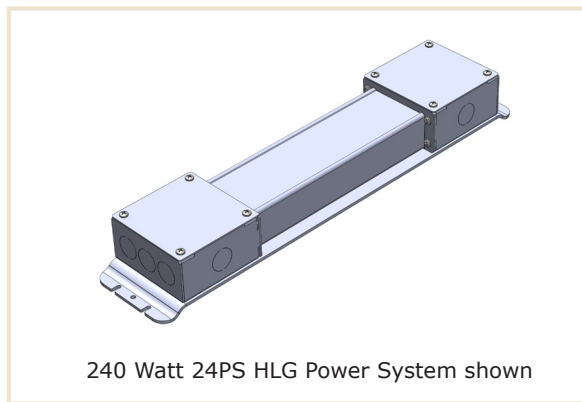
Number of Fixtures per Power System and Wiring Diagrams:

"Custom EcoPlus Installation Instructions (24PS HLG)" and installation specific diagrams EL1-2 for number of circuits and number of fixtures per circuit

Power System Mounting Dimensions:

"Sky Factory 24PS HLG Power System Installation" pages 3-4

24PS HLG Power System LED 24V DC Electrical Power System



240 Watt 24PS HLG Power System shown

DIMENSIONS AND WEIGHTS				
	LENGTH	WIDTH	HEIGHT	WEIGHT
40 WATT 60 WATT	18 IN 45.8 CM	3.7 IN 9.4 CM	2.4 IN 6.1 CM	3 LBS 1.4 KG
80 WATT 100 WATT 120 WATT 150 WATT 185 WATT 240 WATT	18 IN 45.8 CM	3.7 IN 9.4 CM	2.4 IN 6.1 CM	4 LBS 1.8 KG
320 WATT	18 IN 45.8 CM	3.7 IN 9.4 CM	2.4 IN 6.1 CM	6 LBS 2.7 KG
480 WATT	19.1 IN 48.5 CM	5.8 IN 14.8 CM	2.5 IN 6.4 CM	8 LBS 3.6KG
600 WATT	19.1 IN 48.5 CM	5.8 IN 14.8 CM	2.5 IN 6.4 CM	10 LBS 4.6 KG